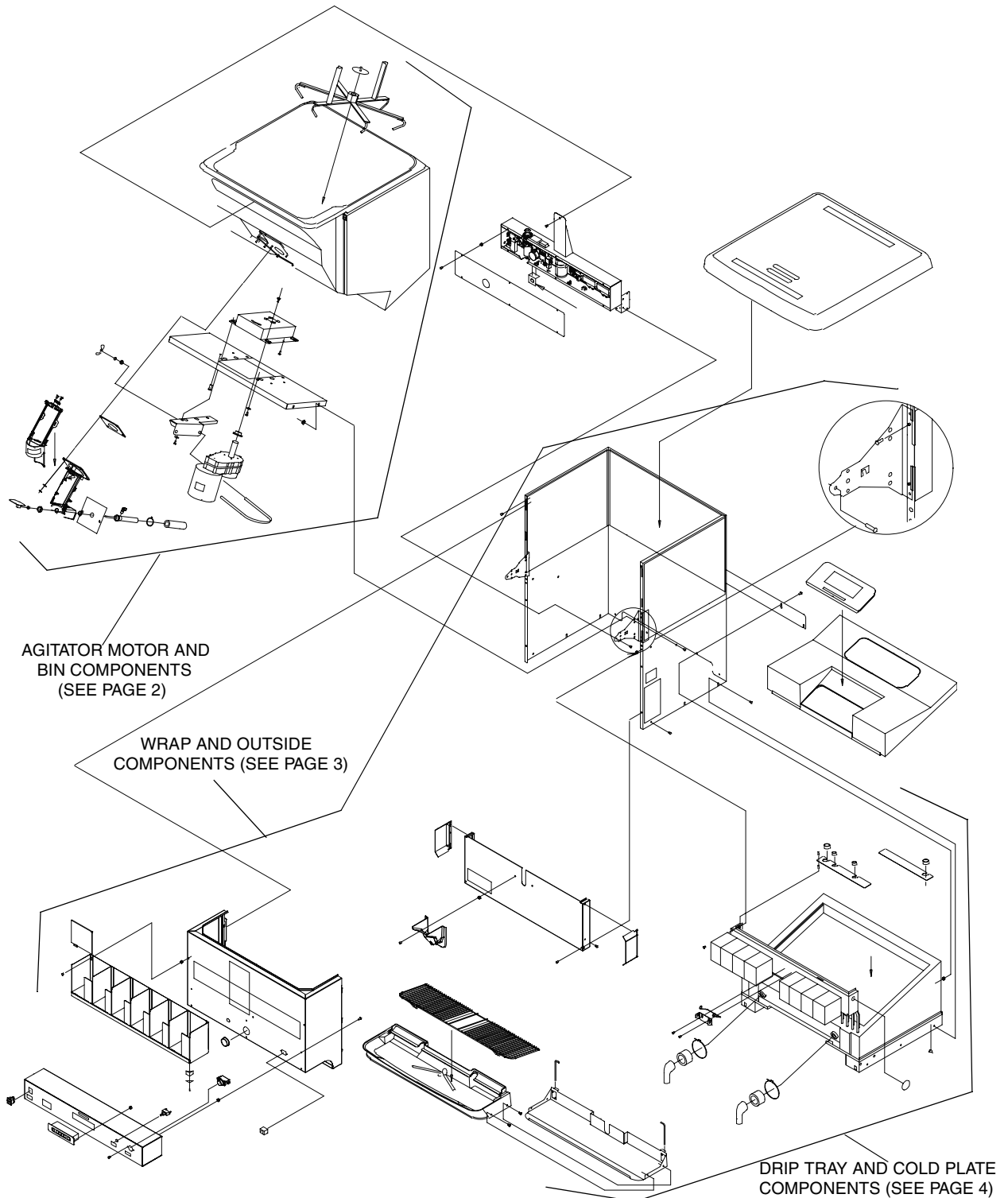




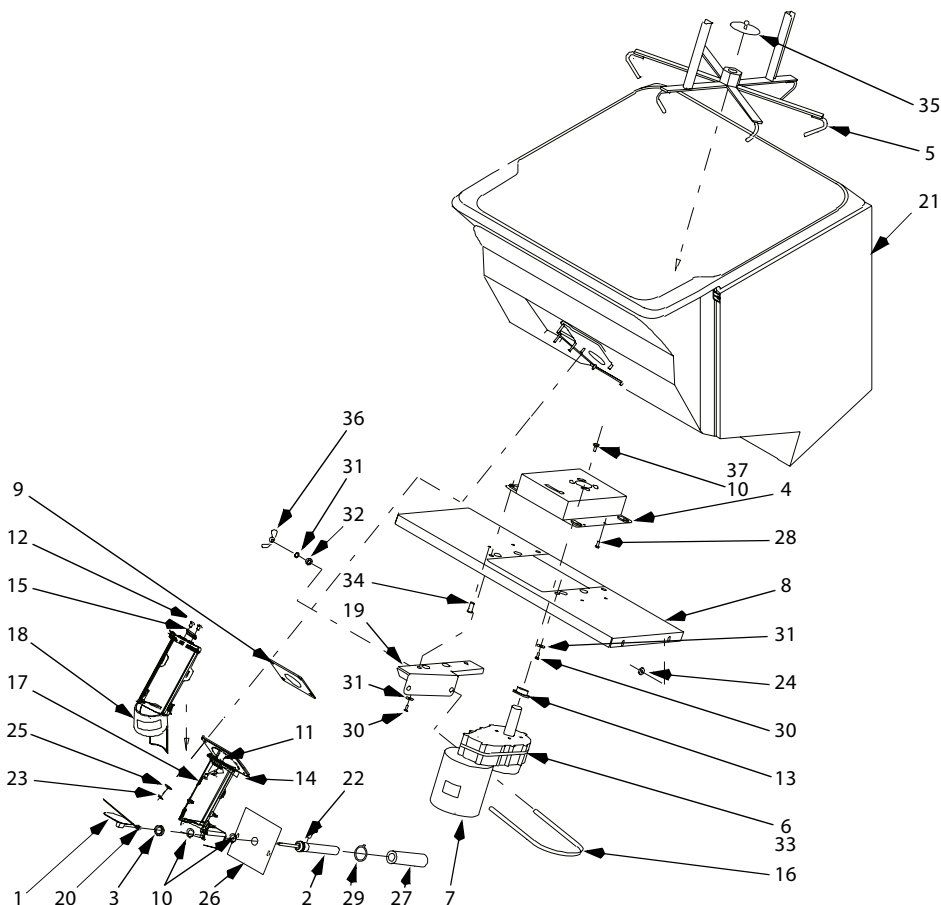
ILLUSTRATED PARTS LIST ED250 BCP

ENDURO COMPONENT OVERVIEW





AGITATOR MOTOR AND BIN COMPONENTS

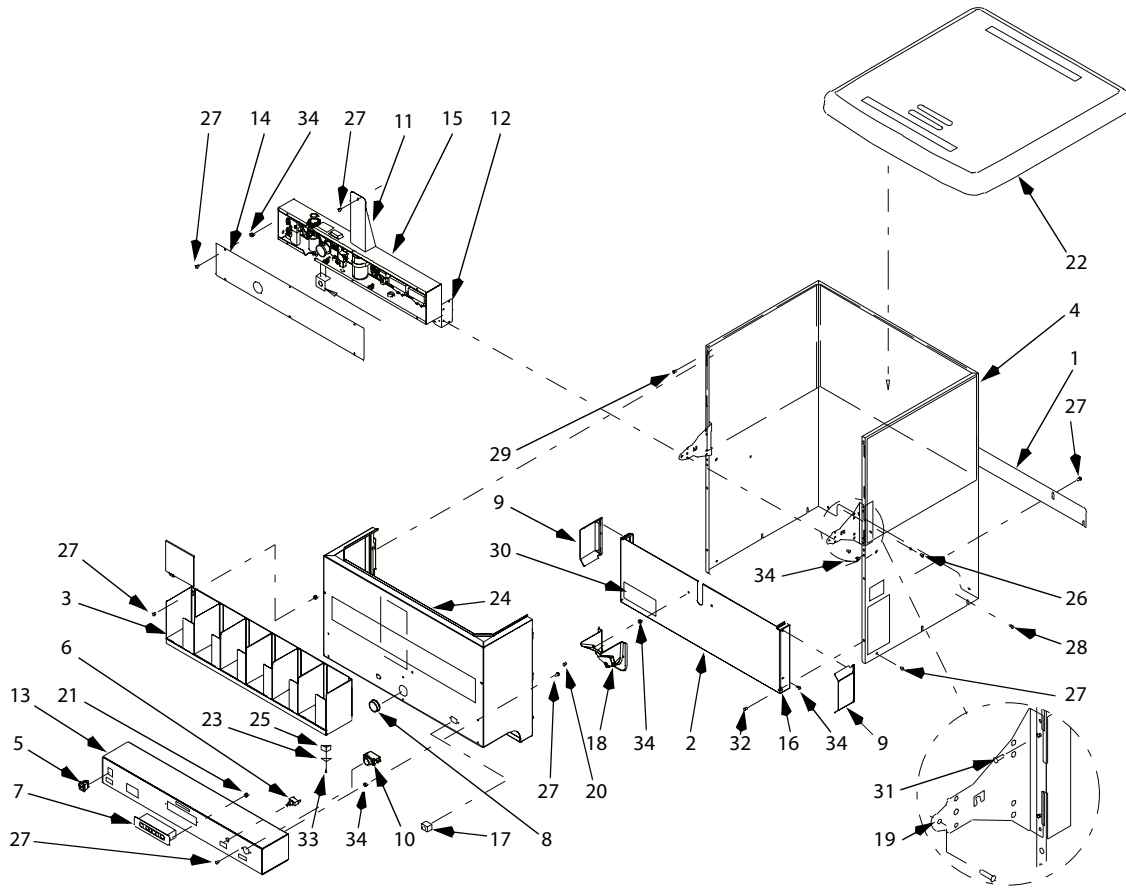


Item No.	Part No.	Name
1	620031818	Gate Slide Asy
2	629088367 620506006	Air Cylinder ED 250 Pro Kit Elbow Air Cylinder
3	620701208	Nut Hex 5/8-18
4	29541R	Plate Motor Mtg
5	29694	Agitator Asy
6	30794	Heater Agit Mtr
7	629088531 620314922	Agitator Motor Kit (prior to SN 62A0540ED248 Agitator Motor (from SN 62A0540ED248)
8	620045909	Brkt Mtr
9	620505903	Gasket Gate
10	620702505	Bushing
11	70122	Screw SM 4 TRPH 12
12	620705901	Screw SM 4 PAPH 12
13	53199	Seal Motor Shaft
14	32953	Switch Reed Asy
15	31981	Actuator
16	620516432	Strap 3/8-16
17	620518501 620505901	Ice Chute Assembly (Gate Slide, Ice Chute, Chute Cover, Cylinder, Hardware) Ice Chute

Item No.	Part No.	Name
18	620505902	Ice Chute Cover
19	620052843	Brkt Mtr Strap
20	620701202	Nut Hex 1/4-28
21	620506008	Hopper Foamed
22	620506006	Fitg L Swv 1/8-NPT x 1/4
23	70017	Nut Hex 10-32
24	70015	Nut Hex 10-32 Keps
25	70056	Washer Ft .219 I.D.
26	620513506	Shield Drip Cylinder
27	50130	Tubg Insul .625 I.D.
28	70204	Screw SM 8 TRPH 16
29	50705	Tie Cable
30	71033	Bolt MA 3/8-16 HX 24
31	70068	Washer Lk .382 I.D.
32	71061	Washer Ft .480 I.D.
33	70341	Spring Hopper Gate
34	70959	Nut No. 8-32
35	15087	Retainer Agitator
36	71059	Nut Wing 3/8-16
37	71028	Bolt SH 1/4-20



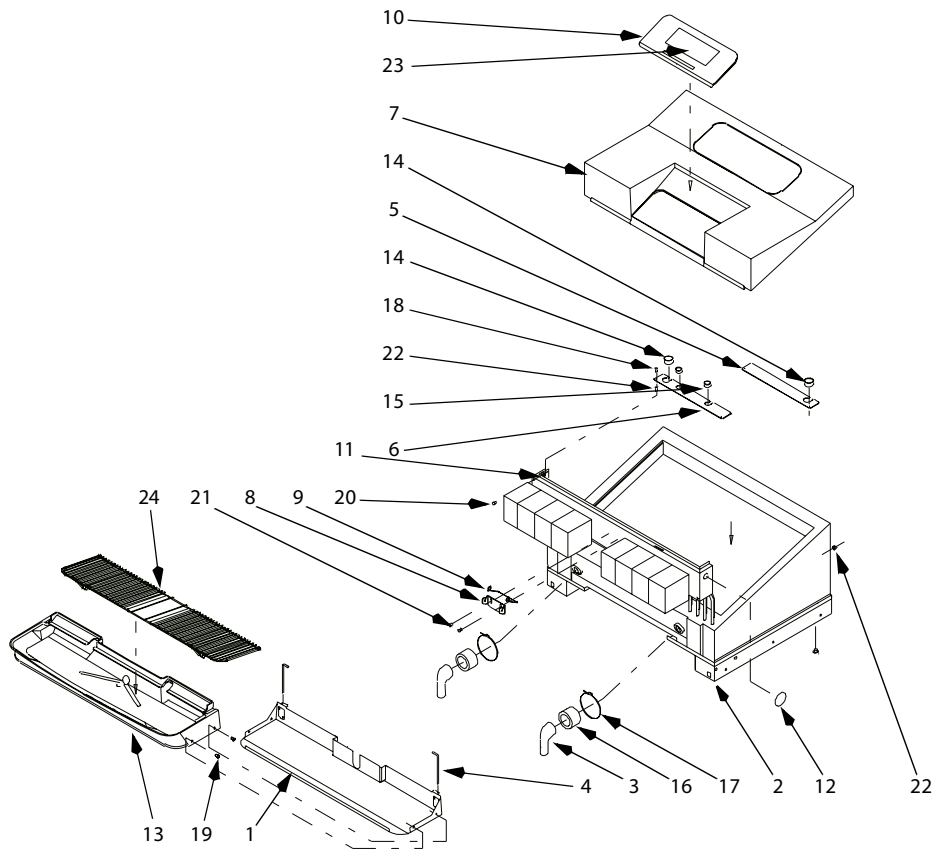
WRAP AND OUTSIDE COMPONENTS



Item No.	Part No.	Name
1	29555	Panel Back Cover
2	629086701	Panel Splash Assy
3	28708	Holder Lid and Straw Asy
4	29547	Wrap Cabinet
5	31934	Switch On/Off
6	31960	Swt Toggle
7	32839 629081401	Portion Control Ice Overlay for Portion Control Module
8	50767	Bushing Snap
9	52084 08052	Splash Guard R/L (One) Splash Guard Kit (Two Clear Splash Guard)
10	30894	Switch Push Button Red
11	620031807	Support Box Elec Uppr
12	620031812	Brkt Mtg E-Box
13	620031814	Box Control Portion
14	620031804	Cover Box Elec
15	620307702 620311502 620311503	Box Elec Assembly Wire Harness - Gate Manual Override Wire Harness Assy Merch
16	71010	Washer Retaining No. 8

Item No.	Part No.	Name
17	620308301	Conn Power Inlet
18	620046001	Cover Accs Air Cylinder
19	620019701	Hinge Gusset
20	70188	Screw WG 8-32 KN 16
21	70075	Nut Hex 6-32
22	52909	Lid Plastic Black
	53018	Lid Dispenser Gray
23	620028283	Retainer Corner Cushion
24	629088313	Merchndsr Assembly ED250 Pro Kit
25	620506018	Cushion Corner
26	70242	Screw MA 10-32 TRPH 12
27	70171	Screw MA 8-32 TRPH 12
28	70178	Screw MA 8-32 TRPH 16
29	70204	Screw SM 8 TRPH 16
30	92000	Label Plmbg LT to RT
	92344	Label Plmbg RT to LT
31	70320	Rivet Pop 1/8 Dia.
32	71006	Screw MA 8-32 TRPH 72
33	620701601	Screw TF SM 10 PNP 16
34	70959	Nut No. 8-32
N/A	70970	4" Black Plastic Leg (sold by the each)

DRIP TRAY AND COLD PLATE COMPONENTS

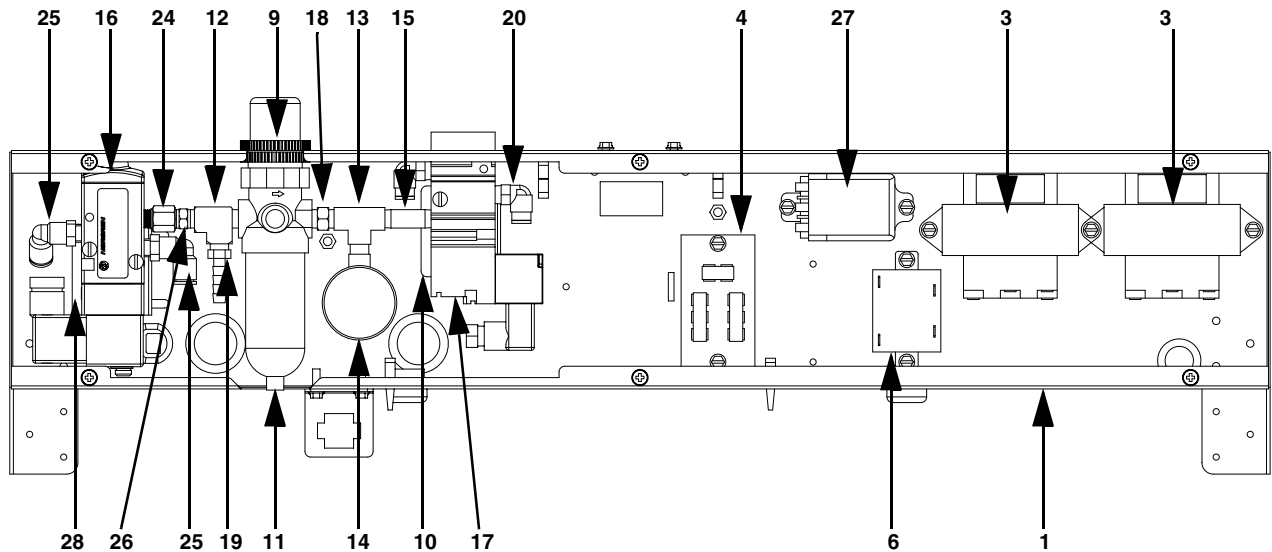


Item No.	Part No.	Name
1	620028702	Drip Tray Ext Asy
2		C-Plt Val Asy
3	53011	Fitg Elbow C-Plt Drain
4	10145	Pin Mtg Drip Tray
5	15090	Baffle Upper Left
6	620041018	Baffle Upper Left
7	53268	Cover C-Plt Asy
8	620041016	Brkt Ice Chute
9	620041017	Chute Ice Wire Stabilizer
10	53255	Cover Access Asy
11	71010	Washer Retaining No. 8
12	51908	Plug Butn
13	53210	Drip Tray Black
14	325192000	Bushing Snap 1.1 Dia.
15	50475	Bushing Snap .875 Dia.

Item No.	Part No.	Name
16	50335	Insulation Armaflex
17	50822	Tie Mtg Nylon
18	70171	Screw MA 8-32 TRPH 12
19	70478R	Clip Push on
20	70555	Screw MA 8-32 TRPH 84
21	620701601	Screw SM 10-16 PNP 16
22	70959	Nut No. 8-32
	92334	Label Inlet LT to RT
	92345	Label Inlet RT to LT
24	71094	Cup Rest
25	51288	Adapter 3/4 (Not Shown)
26	50952	Adapter 3/4 (Not Shown)
27	70750	Clamp Hose (Not Shown)
28	620702201	Brush (Not Shown)



ELECTRICAL BOARD

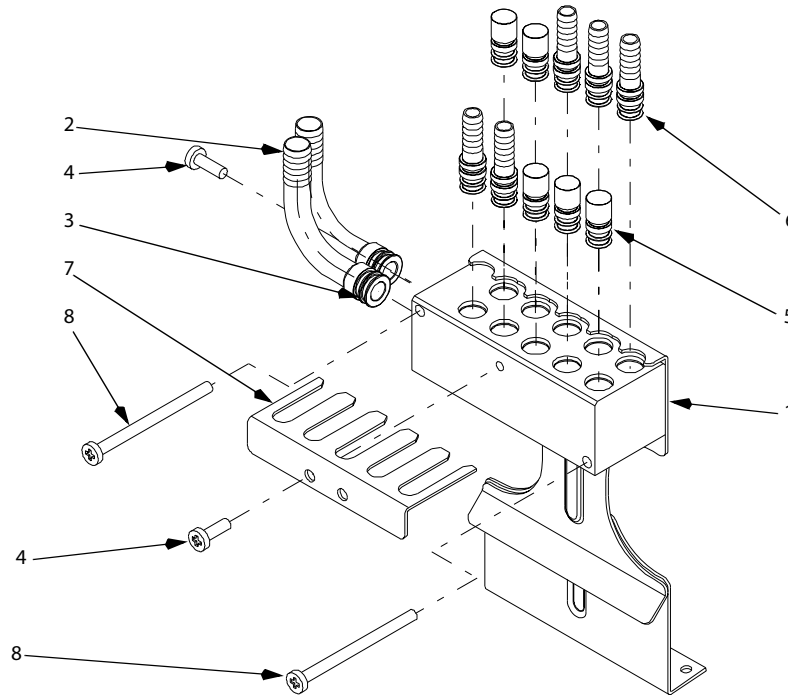


Item No.	Part No.	Name
1	620031802	Box Elec
2	32714	Diode Asy
3	449999999	Transfrmr 120V-24V
4	31107	Board Terminal
6	620307501	Relay 240V
9	620701206	Nut Knrl Plastic Swt
10	620031811	Brkt Mtg Solenoid Valve
11	620701204	Reg Filter Asy
12	620702504	Fitg T 1/8-MPT x 1/8-FPT
13	620702501	Fitg T 1/8-FPT
14	620702503	Display Pressure Bot Con
15	620404301	Fitg Nipple 1/8-NPT
16	629088755	Kit Valve Pilot Solenoid Replacement For units prior to SN 62D0605ED289
	620609102	Valve Pilot Solenoid (For units beginning with SN 62D0605ED289)

Item No.	Part No.	Name
17	620702102	Valve Solenoid Pilot
18	620701207	Fitg Nipple Close 1/8-NPT
19	70663	Fitg 1/4-Barb x 1/8-MPT
20	620506006	Fitg L 1/8-NPT
21*	620512101	Tube Poly .250 O.D.
22*	50299	Tube .265 I.D.
23	30995	Cord Asy
24	620720629	Bushing 1/8-FPT 1/8-MPT
25	620720630	Fitg L Swv 1/8-MPT
26	620702506	Fitg Nipple Close 1/8-NPT
27	31206	Relay
28	620053206	Brkt Mtg Solenoid

* Not Shown

FLEX MANIFOLD COMPONENTS



Item No.	Part No.	Name
1	620407728	Manifold Flex
2	620709065	Fitg L 1/2 x 3/8-Barb
3	100057	O-Ring Coupler
4	70204	Screw SM 8 TRPH 16
5	620519005	Plug Manifold
6	620709066	Conn Inlet 3/8 x 1/4-Barb
7	620046316	Retainer Fitg

Item No.	Part No.	Name
8	620706632	Screw 8-15 PAPH 56
	620711913	Insulation Manifold LH (Not Shown)
	620711914	Insulation Manifold RH (Not Shown)
	620715408	Hook and Loop Fastener (Not Shown)